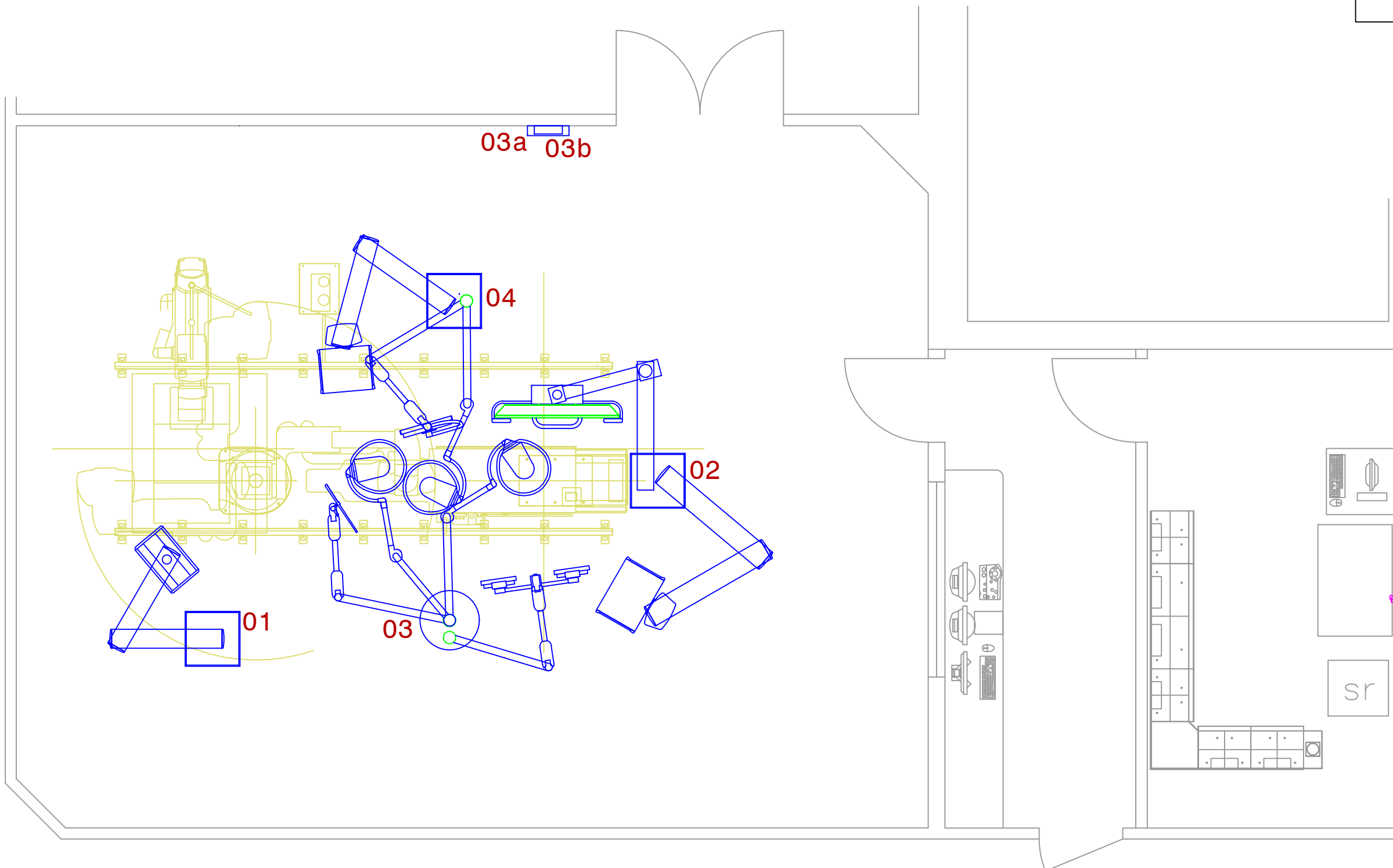


REVISION SCHEDULE

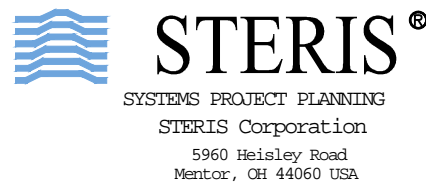
REVISION #	DESCRIPTION	PLANNER/ DATE



Equipment List

Tag	QTY	DESCRIPTION
01	1	Harmony EMS DF80 (Medium) with Supply Head
02	1	Harmony Tandem EMS DF100 (Strong) with Supply Column - 40" (1000) and Insight85 90" with Harmony Insight 85 - Large Format Monitor under 118.5lbs
03	1	Harmony Surgical Light with LED 49 in Monitor Arm and 44 in Light arm and 36 in Light Arm Auxilliary Arm (100mm Adapter tube)
03a	1	Harmony LED Standard Mount Control Center
03b	1	Harmony LED Remote Power Module (May be mounted above/below light control)
04	1	Harmony Tandem EMS DF80 (Medium) with Supply Column - 40" (1000) and LED 49 in Monitor Arm and 44 in Light Arm and Hub Spacer

STERIS drawings do not supersede the drawings from the architect of record.



Toshiba America  
 Medical Systems  
 Dual Plane Infinix DP-i

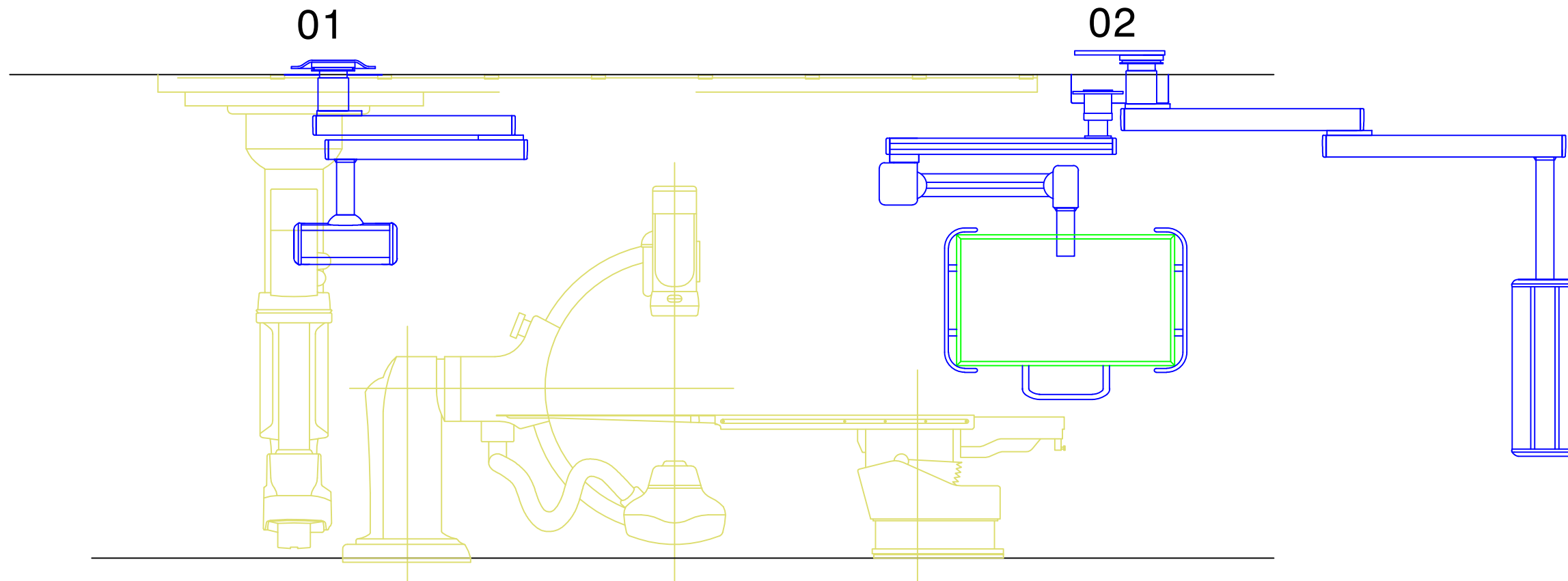
PARTIAL FLOOR PLAN  
 Hybrid CVOR  
 PROPOSED EQUIPMENT LAYOUT

Dr	McB
Ck	
Date	20 Nov 2012
Scale	1/4" = 1'-0"

H- 9273
B-
PAGE 1

REVISION SCHEDULE

REVISION #	DESCRIPTION	PLANNER/ DATE



STERIS drawings do not supersede the drawings from the architect of record.



Toshiba America  
 Medical Systems  
 Dual Plane Infinix DP-i

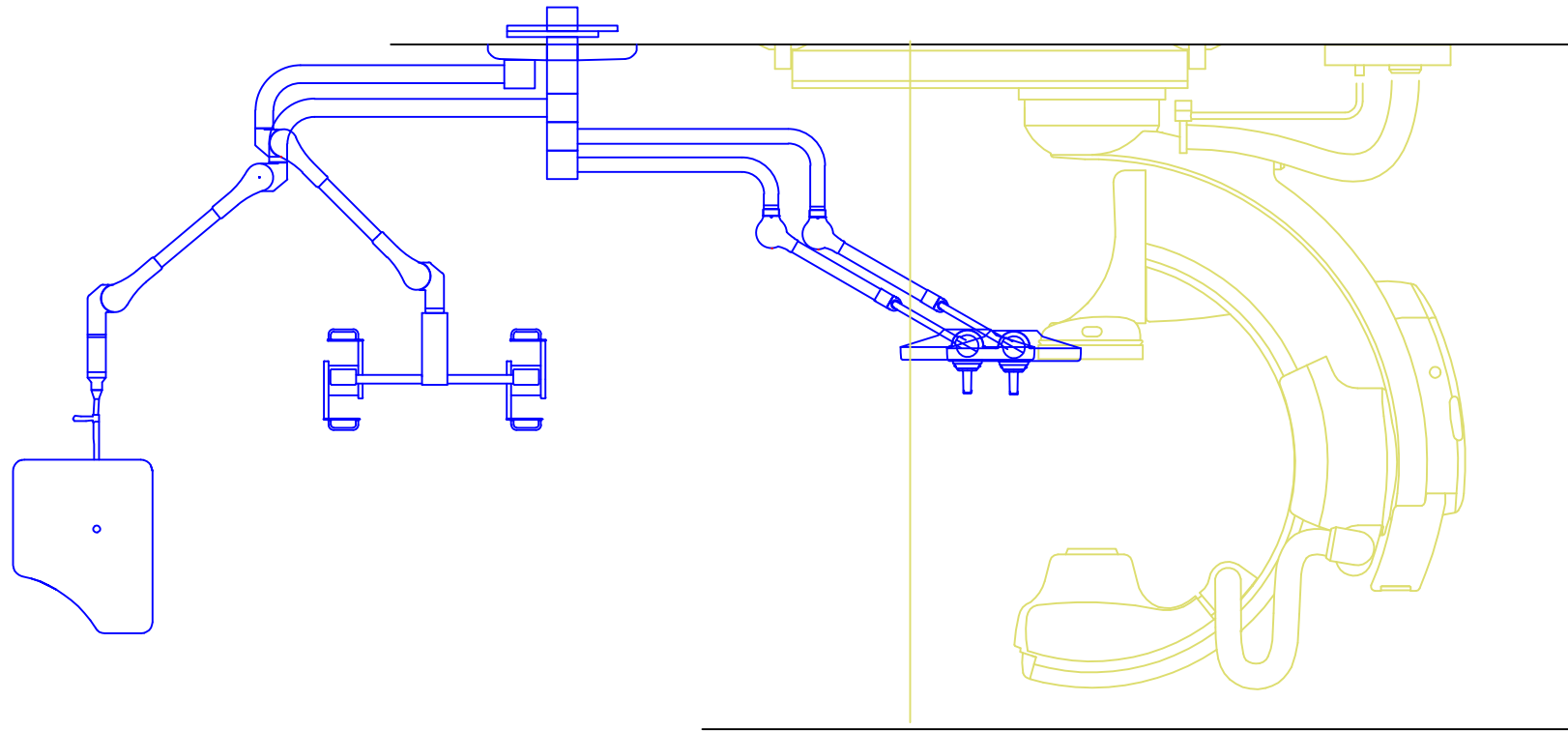
ELEVATIONS MOUNT 01 & 02  
 Hybrid CVOR  
 PROPOSED EQUIPMENT LAYOUT

Dr	McB	H- 9273
Ck		
Date	20 Nov 2012	B- 1
Scale	3/8" = 1'-0"	PAGE 2

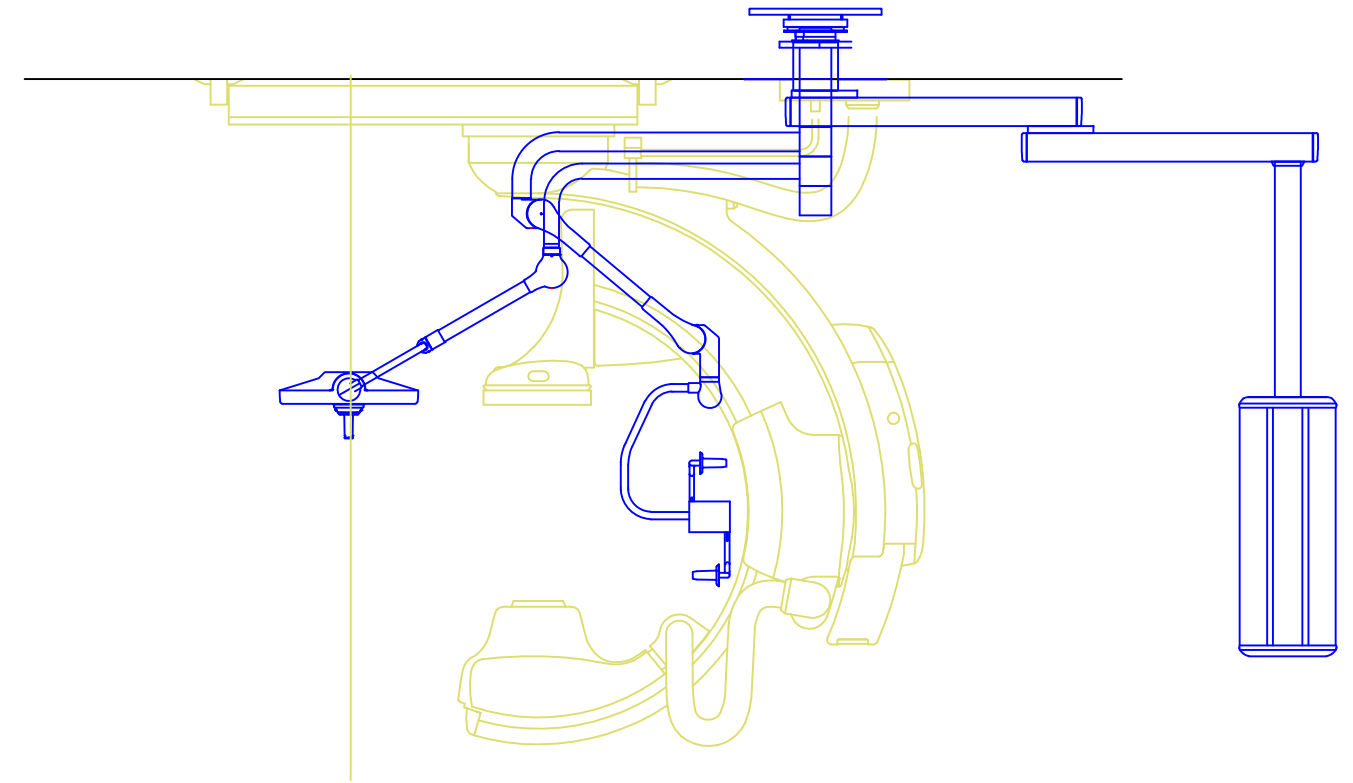
REVISION SCHEDULE

REVISION #	DESCRIPTION	PLANNER/ DATE

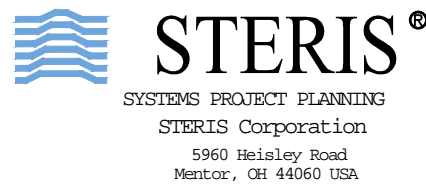
03



04



STERIS drawings do not supersede the drawings from the architect of record.



Toshiba America  
 Medical Systems  
 Dual Plane Infinix DP-i

ELEVATIONS MOUNTS 03 & 04  
 Hybrid CVOR  
 PROPOSED EQUIPMENT LAYOUT

Dr	McB
Ck	
Date	20 Nov 2012
Scale	3/8" = 1'-0"

H- 9273  
 B- 1  
 PAGE 3